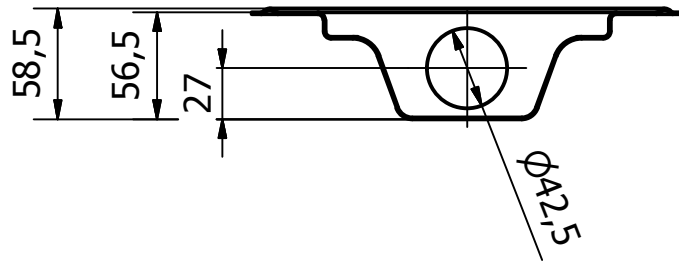
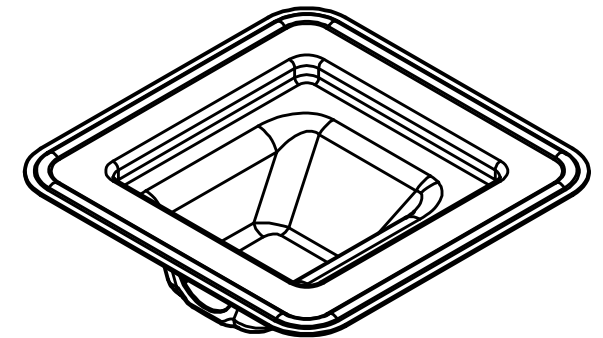
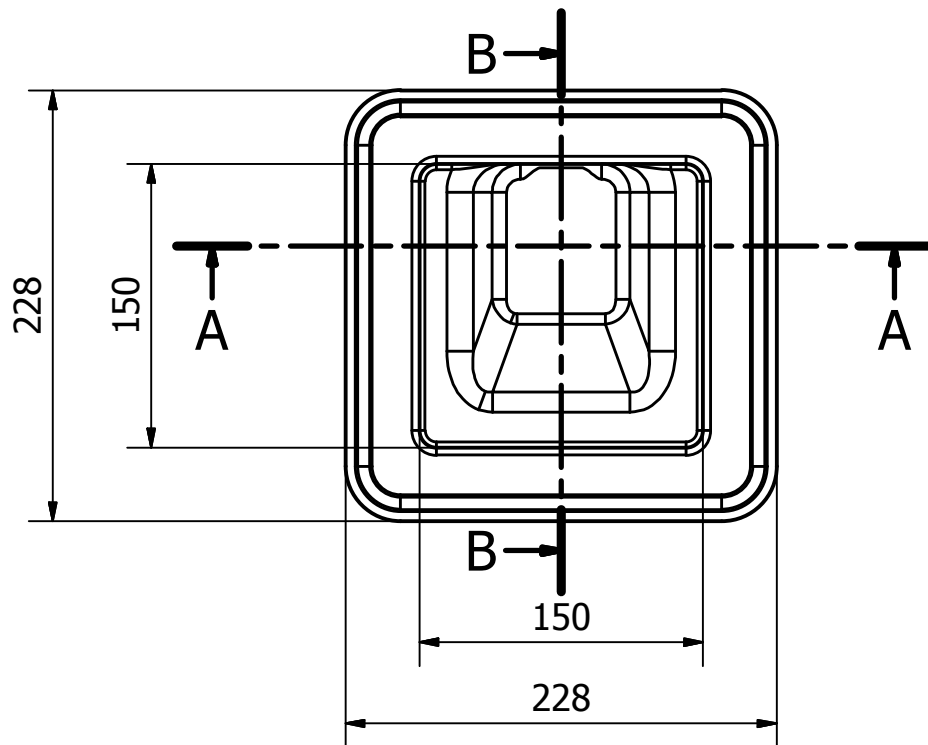
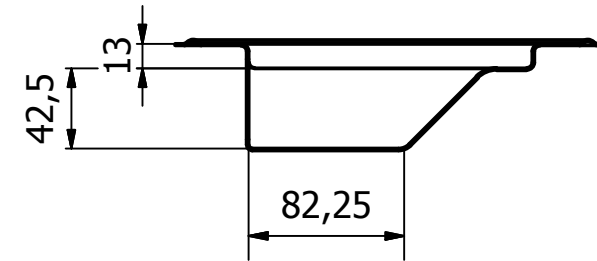



A-A (1/4)



B-B (1/4)



		www.i-drain.com Ambachtsweg 14 3890 Gingelom Belgium T +32 (0) 11 68 96 68 F +32 (0) 11 68 50 86		
		PROJECT:Square_Chape	Tol: +/-ISO-2768-C	Datum: 5/01/2015
Omschrijving:Square drain Chape		Tekenaar: Roel	Materiaal: RVS	1/4
Goedkeuring:		Tekening:Square_Chape.dwg		Rev.0

THIS DOCUMENT CONTAINS CONFIDENTIAL AND PROPRIETARY INFORMATION THAT CANNOT BE REPRODUCED OR DIVULGED IN WHOLE OR IN PART, WITHOUT WRITTEN AUTHORIZATION FROM GROUP NIVELLES N.V.