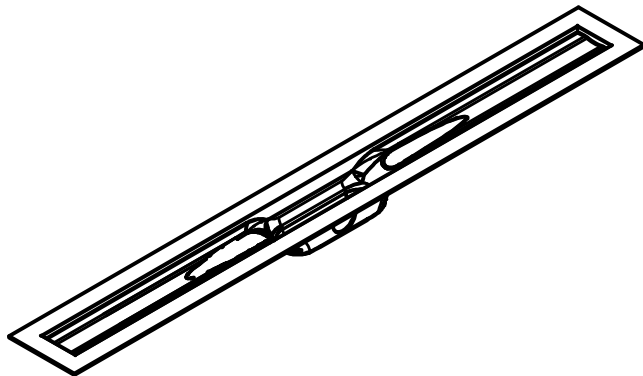
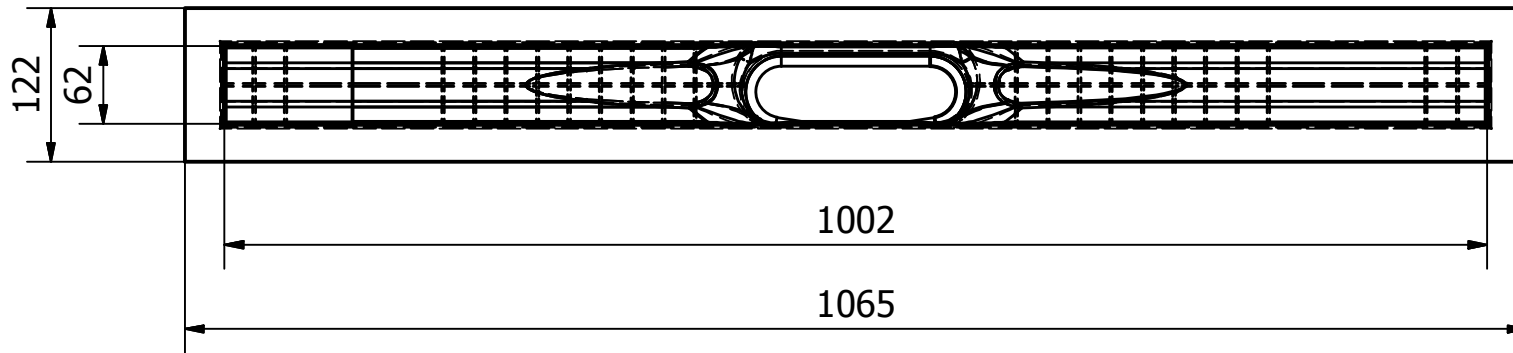
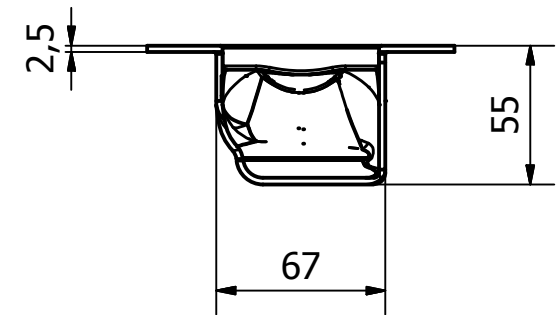
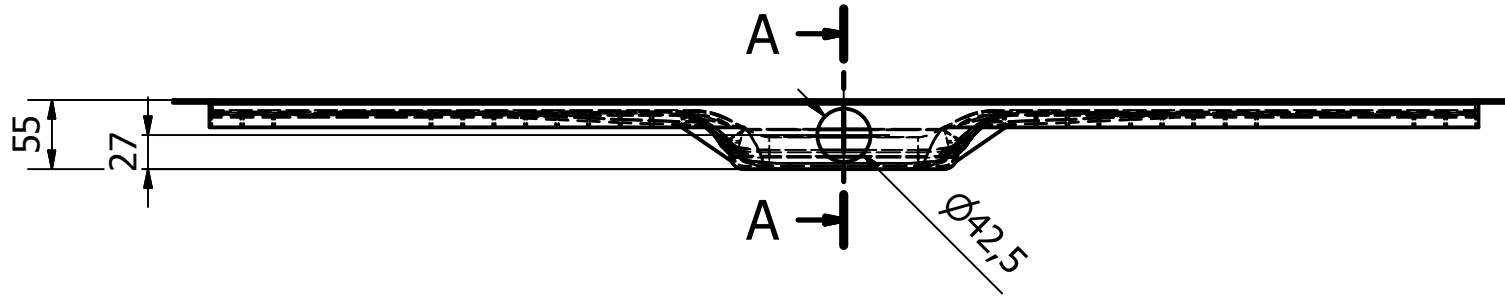


# A-A ( 1/3 )



THIS DOCUMENT CONTAINS CONFIDENTIAL AND PROPRIETARY INFORMATION THAT CANNOT BE REPRODUCED OR DIVULGED IN WHOLE OR IN PART, WITHOUT WRITTEN AUTHORIZATION FROM GROUP NIVELLES N.V.

|   |                             |  |       |                       |  |
|---|-----------------------------|--|-------|-----------------------|--|
|  |                             | Group Nivelles N.V.<br>Ambachtsweg 14<br>3890 Gingelom<br>Tel: +32 (0) 11 68 96 68<br>Fax: +32 (0) 11 68 50 86<br>E-mail: info@groupnivelles.com |       | <b>GROUP NIVELLES</b> |  |
| PROJECT:IDABS4M10001X1  | Tol: +/-ISO-2768-C          | Datum: 4/12/2014   | A4    |                       |  |
| Omschrijving:IDABS4M10001X1   | Tekenaar: Roel              | Materiaal: ABS   | 1/6   |                       |  |
| Goedkeuring:  | Tekening:IDABS4M10001X1.dwg |  | Rev.0 |                       |  |